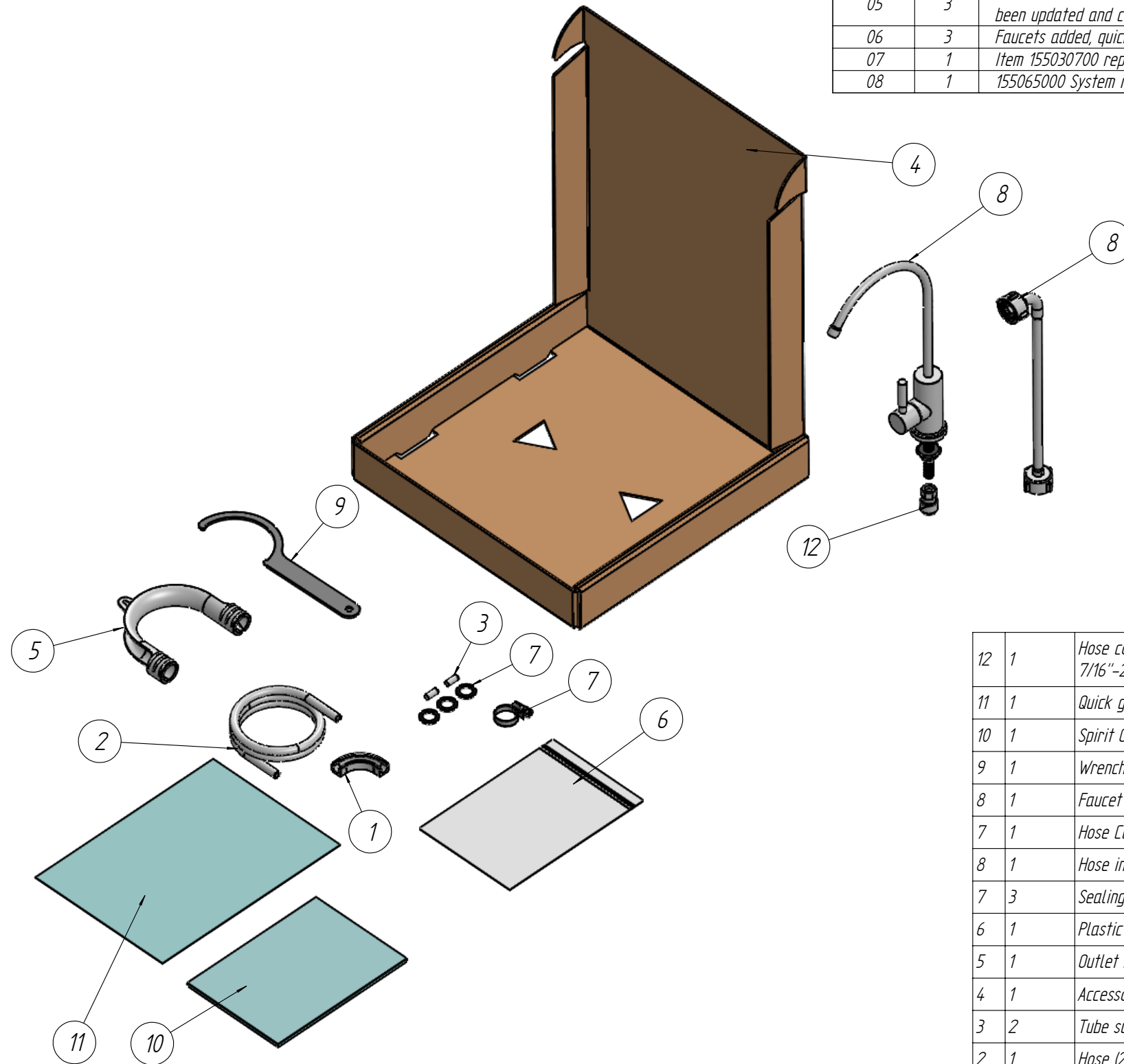


Drawing according to 3D model 90-AD30019-R08_System Installation

This document must not be copied or used in any other way without written permission from Blueblue AB. We do not accept any responsibility to communicate this document to any other person or company.



Revisioner/Revisions				
Nr	Ant/Qty	Benämning/Description	Inf av/Rev by	Datum/Date
01	1	First revision	ChMa	2015-10-08
02	1	50-909-0191 Faucet Cleone replaced by 155030700 Faucet (Sento)	ChMa	2017-06-30
03	2	150790100 Coupling and 150790200 Sealing has been deleted from the system installation	ChMa	2017-08-31
04	1	Hose 150710005 in 1550256(page2) removed	BjBe	2018-04-05
05	3	Faucets has been removed, Hose connection faucet has been removed and manual has been updated and changed article number	ChMa	2018-04-05
06	3	Faucets added, quick guide added, Hose removal instruction removed	BjBe	2019-04-02
07	1	Item 155030700 replaced with 155049000. Revision number in BOM removed.	HaSm	2019-09-06
08	1	155065000 System installation US has been added.	ChMa	2019-11-06

12	1	Hose connection faucet 3/8" to 7/16"-24 UNS	NA	150736500	Drawingnr. 90-CD00014
11	1	Quick guide SPIRIT Bluewater	-	824000200	Drawingnr. 824000200
10	1	Spirit Owners Manual	-	822901693	Drawingnr. 822901693
9	1	Wrench	SPLC-Q/ASB 312-2012-St12-m-FB-PT.A	160704500	Drawingnr. 1607045
8	1	Faucet JD-21B	Stainless Steel	155049000	Drawingnr. 90-CD40179
7	1	Hose Clamp	NA	155026500	Drawingnr. 90-CD40046
8	1	Hose inlet	PE / PA6.6 30GF	165010201	Drawingnr. 1650102
7	3	Sealing	Rubber	155010101	Drawingnr. 1550101
6	1	Plastic bag Minigrip	LD-PE Transparent clear	155001400	Drawingnr. 1550014
5	1	Outlet bend	NA	150790300	Drawingnr. 1507903
4	1	Accessory box	NA	150749400	Drawingnr. 1507494
3	2	Tube support	NA	150726900	Drawingnr. 1507269
2	1	Hose (2m)	PE	150710005	Drawingnr. 1507100
1	1	Flow bend tube clip	NA	150706800	Drawingnr. 1507068

Nr	Ant/Qty	Benämning/Description	Material	Modnr Dim	Anmärkning/Comments
Konstruerad av/ Ritad av		Granskad av/ Checked by		Godkänd av/Approved by	
ChMa		ZB		ZB	
Datum/Date		Generell tolerans/ General Tolerance		Ytjämnhet/ Surface finish	
2019-11-06		SS-ISO 2768 -m-K		Ra	
Titel, Benämning/ Del-SMST/ Huvud- SMST/Description		Material/Material		Ritningsnummer/Drawing nr	
System Installation SPIRIT 300 CP-HR / 155025500		NA		90-AD30019	
Konstruktion/Design		Formverktyg/Mould		Förslag/Suggestion	
-		-		-	
Utgåva/Rev		Blad/Sheet			
08		1/3			



Den här handlingen är inte kopierad eller utnyttjad på annat sätt utan skriftligt tillstånd från Blueblue AB. Vi ansvarar inte för information som lämnas till tredje part.

Ritningsnummer/Drawing nr
90-AD30019

Utgåva/Rev
08

Blad/Sheet
1/3